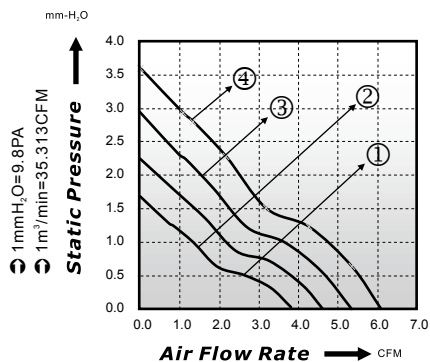


# 35x35x10mm

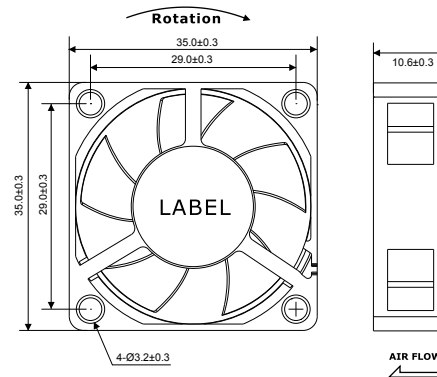


## ■ P-Q Curve (At Rated Voltage)



## ■ Dimensions Drawing

Unit: (mm)



Model No	Bearing (*)	Rated Voltage (VDC)	Rated Current (A)	Power Consumption (Watts)	Speed (rpm)	Air Flow (CFM)	Static Pressure (mmH <sub>2</sub> O)	Noise (dBA)	Curve
ED03510-05L*	○ ● ⊖	5	0.25	1.25	5500	3.85	1.69	17.0	1
ED03510-05M*	○ ● ⊖	5	0.30	1.50	6500	4.59	2.25	20.1	2
ED03510-05H*	○ ● ⊖	5	0.35	1.75	7500	5.37	2.94	22.6	3
ED03510-05HH*	○ ● ⊖	5	0.40	2.00	8500	6.11	3.60	25.1	4
ED03510-12L*	○ ● ⊖	12	0.15	1.80	5500	3.80	1.69	17.0	1
ED03510-12M*	○ ● ⊖	12	0.20	2.40	6500	4.59	2.25	20.1	2
ED03510-12H*	○ ● ⊖	12	0.25	3.00	7500	5.37	2.94	22.6	3
ED03510-12HH*	○ ● ⊖	12	0.30	3.60	8500	6.11	3.60	25.1	4

\* Bearing Type: ○ Sleeve ● Two Ball ⊖ Hydro-Dynamic